

OPERATING INSTRUCTIONS

for

TYPE 1203-A

UNIT POWER SUPPLY

Form 754-B
October, 1954



GENERAL RADIO COMPANY

CAMBRIDGE 39

MASSACHUSETTS

NEW YORK

CHICAGO

WASHINGTON

LOS ANGELES

PRINTED IN U.S.A.

U. S. A.



File Courtesy of GRWiki.org

Operating Instructions

for

Type 1203-A Unit Power Supply

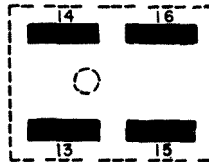
General

The Type 1203-A has been designed primarily to supply power for GR Unit Instruments (Oscillators, Amplifiers, Pulsers, etc.); it can also be used as a general-purpose source of heater and plate power.

Installation

GR Unit Instruments are provided with a multipoint connector for plugging directly into the Type 1203-A outlet. Instruments where the connector is mounted on the side of the cabinet (rather than at the end of an attached cable) can be firmly and permanently attached to the power supply by a bolt through matching holes in their side panels. A 10-32 screw with wing nut is supplied for this purpose.

To connect other equipment a mating multipoint plug is used:



Inside terminal view of mating multipoint connector. Connect to #13 and #14 for 6.3 volts a.c. Connect to #15 and #16 for 300 volts, d.c. The positive terminal is #15.

Both the 6.3-volt a-c supply system and the 300-volt d-c supply system are isolated from ground and from each other to permit greater latitude in external connections.

Connect the power supply to an a-c line of 115 volts, 50 or 60 cycles.

The off-on panel switch is the only control.

Cover

To remove the cover, loosen the black thumb-screw on the left side of the cabinet and slide the cover off, away from the panel.

Output

6.3 volts, a.c., nominal; 3 amperes a.c. maximum. About 300 volts, d.c., at 50 milliamperes maximum. About 410 volts, d.c., at no load. If the a-c load is limited to 1.5 amperes, the maximum allowable d-c load is 65 milliamperes (about 285 volts).

Hum Level

About 250 millivolts a.c. at 300 volts, 50 milliamperes d.c.

Input Power Supply

115 volts, 50-60 cycles.

Power Input

10 watts no load. 50 watts full load.

Rectifier Tube

One 6X4 which is supplied.

Connection Terminals

A standard multipoint connector is arranged for plugging in instruments of the Unit line. A mating plug is supplied for connecting to other equipment. The line connector cord is affixed permanently to the power supply.

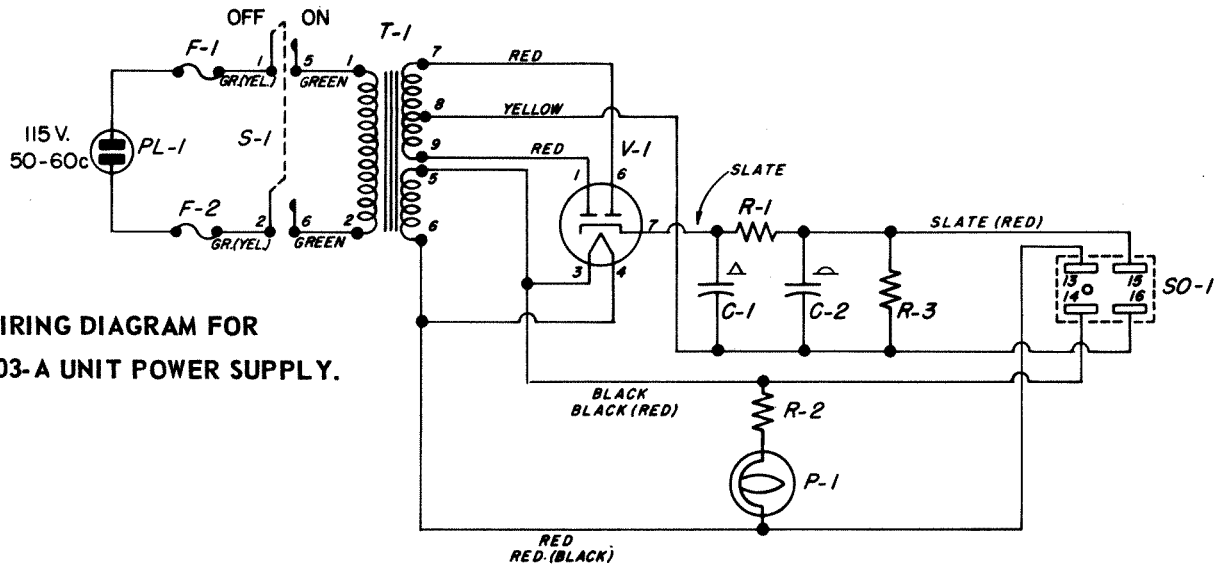
Dimensions

(Width) 5 inches x (height) 5-3/4 inches x (depth) 6-1/4 inches overall, not including line connector cord.

Net Weight

5-1/4 pounds.





**WIRING DIAGRAM FOR
TYPE 1203-A UNIT POWER SUPPLY.**

RESISTORS

R-1 = 270 Ohms $\pm 10\%$ REW-6C
 *R-2 = 15 Ohms $\pm 10\%$ REW-3C
 R-3 = 120 kohms $\pm 10\%$ REC-41BF
 *Part of P-1 Socket

CAPACITORS

C-1 = 40 μ f 450 wvdc } Part of
 C-2 = 40 μ f 450 wvdc } COEB-28

MISCELLANEOUS

T-1 = Transformer 485-473
 PL-1 = Plug Pt. of CAP-1-2
 SO-1 = Socket CDMS-5-4
 S-1 = Switch DPST SWT-333
 P-1 = Pilot Lgt 6.3V Mazda 44

TUBE

V-1 6X4

