



9005

9005

U-H-F DIODE

ACORN TYPE

Heater	Coated Unipotential Cathode	
Voltage	3.6	a-c or d-c volts
Current	0.165	amp.
Direct Interelectrode Capacitances: ^o		
Plate to Cathode	0.8	μf
Plate to Heater	0.2 approx.	μf
Heater to Cathode	1.1 approx.	μf
Overall Length	1-7/32" \pm 5/32"	
Overall Diameter	1-3/32" \pm 1/16"	
Bulb	T-4 $\frac{1}{2}$	
RCA Socket	Stock No. 9925	
Mounting Position	Any	

Maximum Ratings are Design-Center Values

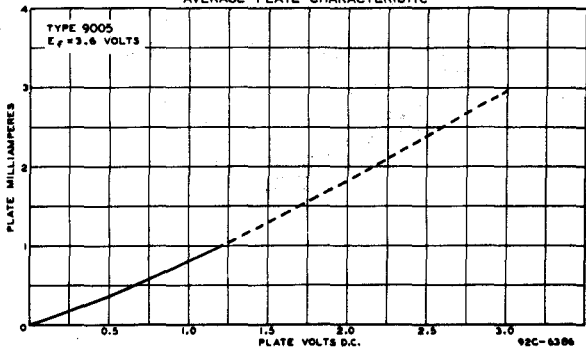
RECTIFIER

A-C Plate Voltage (RMS)	117 max. volts
D-C Output Current	1.0 max. ma.

The resonant frequency of the 9005 is approximately 1500 Mc.

^oWith no external shield.

AVERAGE PLATE CHARACTERISTIC



Dec. 1, 1942

RCA RADIONRON DIVISION
RCA MANUFACTURING COMPANY, INC.

TENTATIVE DATA

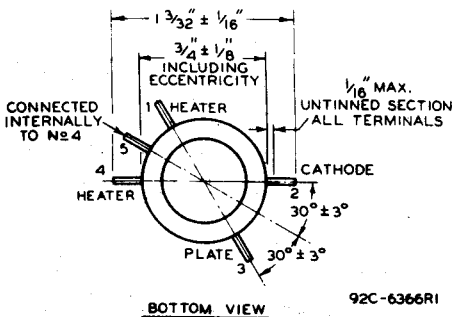
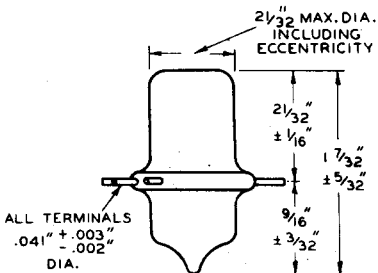


9005



9005

U-H-F DIODE



← Indicates a change.

Dec. 1, 1942

RCA RADIODRON DIVISION
RCA MANUFACTURING COMPANY, INC.

92C-6366R1

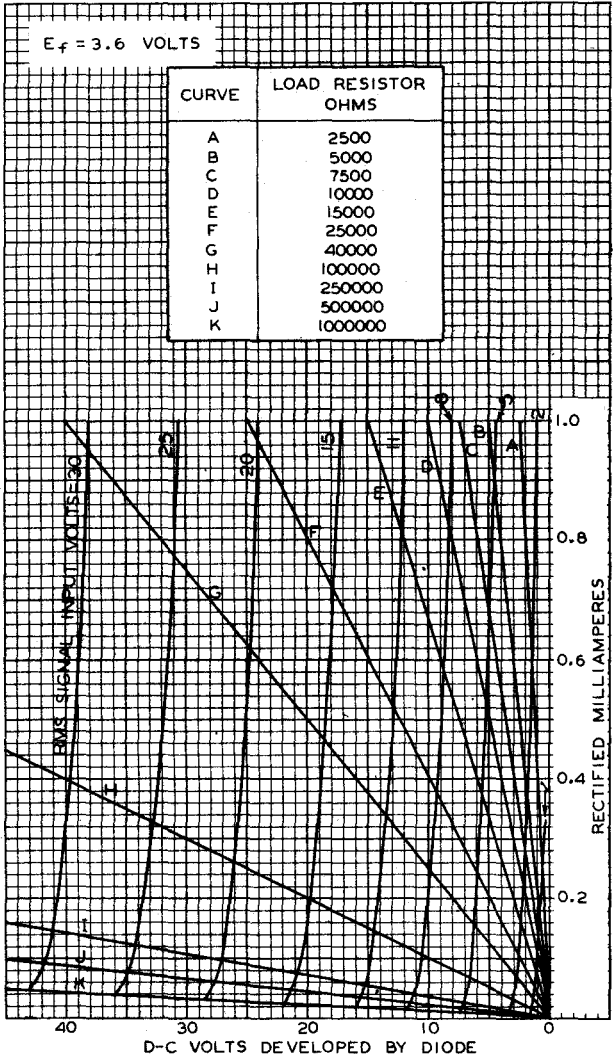




9005

9005

AVERAGE CHARACTERISTICS



MARCH 20, 1942

RCA RADOTRON DIVISION
RCA MANUFACTURING COMPANY, INC.

92C-6384

